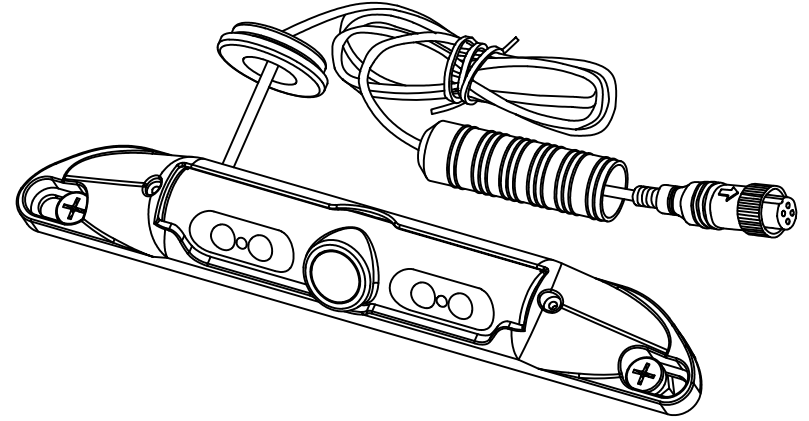
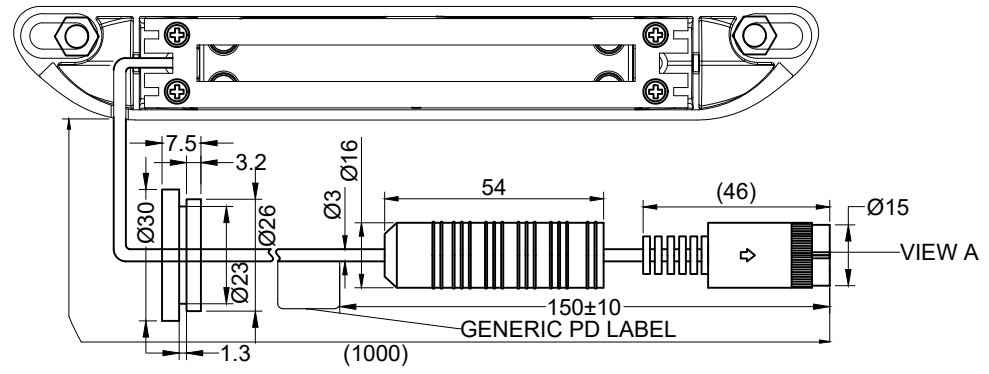
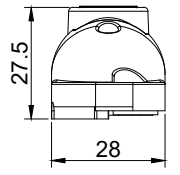
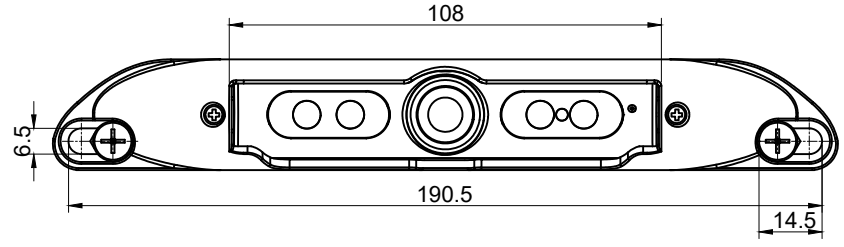
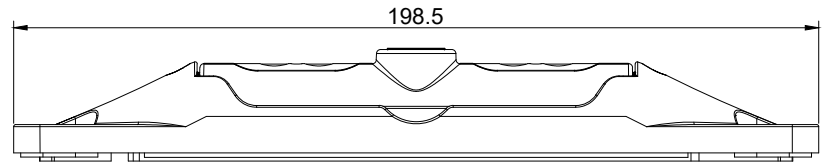
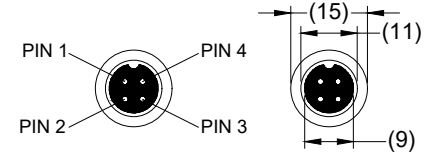


ITEM	PART NO.	MODEL NO.	DESCRIPTION
1	7152	BL-2130C	BRIGADE LITE, REAR NUMBER PLATE CAMERA, 720P AHD - PAL
2	7353	BL-2131C	BRIGADE LITE, REAR NUMBER PLATE CAMERA, 720P AHD - NTSC

Revision Notes.				
APA:	Drawn:	Checked:	Approved:	Date:



VIEW A



4 PIN FEMALE MATING FACE

PIN #	WIRE COLOUR	DESCRIPTION
1	RED	+12V
2	BLACK/SHIELD	GND
3	WHITE	AUDIO
4	YELLOW	VIDEO

- NOTES:
- FOR PRODUCT LABELS AND PACKAGING DETAILS REFER TO MASTER BOM.
  - ANY CUSTOMER MODIFICATION OF THIS PRODUCT CAUSING SUBSEQUENT FAILURE IS NOT A LIABILITY OF BRIGADE ELECTRONICS PLC.

**PROPRIETARY NOTICE**  
 THIS DESIGN AND TECHNICAL INFORMATION APPEARING ON THIS DRAWING IS THE PROPERTY OF BRIGADE ELECTRONICS, AND IS DISCLOSED IN CONFIDENCE. IT IS NOT TO BE COPIED, REPRODUCED, REVEALED TO OR EXPROPRIATED BY OTHERS, EITHER IN WHOLE OR IN PART WITHOUT THE EXPRESS WRITTEN CONSENT OF BRIGADE ELECTRONICS.



Assembly Pl Approval W.XIA	Approved by A KING	Checked by I.MULAYIM	Drawn by R.TIMMS
Angle of Projection Third Angle	Units mm	Scale N/A	Released 06/01/2025
Status RELEASED		Assembly Ref BL-213XC	
Part No VARIOUS		BE-004787-00-23	